



Dantherm[®]

Environmental Air Management

COMFORT VENTILATION
WITH HEAT RECOVERY
FOR SMALL OFFICES AND
PRIVATE HOMES ETC.



ELITE 400 AND 800

The ELITE series is the optimal solution to provide a pleasant indoor climate & a healthy environment in homes, institutions and offices.

In recent years the importance of a good indoor climate has been brought into focus. One reason is that new buildings are very well insulated, thus increasing asthma and allergy attacks.

ELITE is a high-quality ventilation product providing a "refreshing breeze of comfort" to your home or workplace. Installation of an ELITE ventilation system not only purifies the air for

pollen, dust and other damaging & harmful substances, it will also free your home from excessive moisture which is often the reason for steamed-up windows, bad smell and damages like mould and dry rot.

The ELITE ventilation system is easy to control. The control function is assured by a remote control unit that can be placed anywhere in the house.

Approx. 65% of heat is recovered from the exhaust air and transferred to the fresh supply air.



ELITE 400

Complete ventilation system with:

- Heat exchanger, inlet/exhaust air fan
- Fine filter EU5 in inlet and exhaust
- 3-step electric heating coil and complete control unit

The cabinet has 50mm double skinned insulated hot-dipped galvanized panels and access doors on the inspection side. The exhaust side is fitted with a drip tray for collection of condensate water.

The ELITE 400 is suitable for use in institutions, offices and private homes up to 200 m².

ELITE 800

Complete ventilation system with:

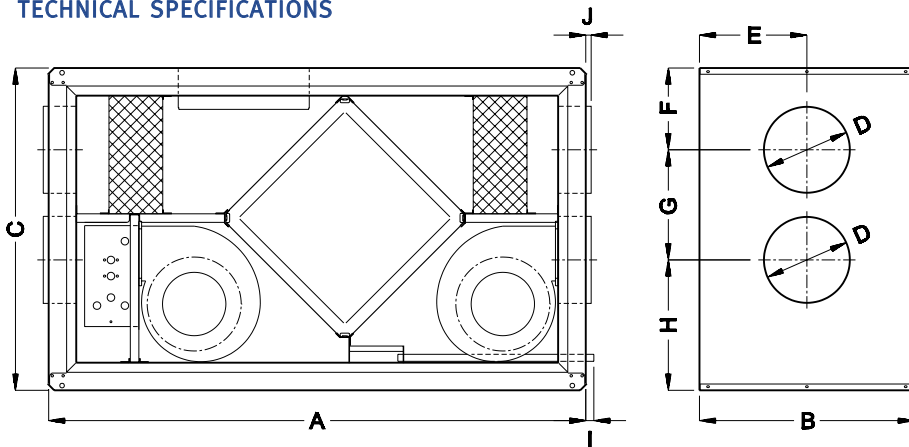
- Heat exchanger, inlet/exhaust air fan
- Fine filter EU5 in inlet and exhaust
- 3-step electric heating coil and complete control unit

The cabinet has 50mm double skinned insulated hot-dipped galvanized panels and access doors on the inspection side. The exhaust side is fitted with a drip tray for collection of condensate water.

The ELITE 800 is suitable for use in institutions, offices and larger homes from 200m² to 400 m².



TECHNICAL SPECIFICATIONS



Dimensions in mm	A	B	C	D	E	F	G	H	I	J
Elite 400	1000	400	600	160	200	152	205	243	15	10
Elite 800	1100	500	750	200	250	195	333	222	15	10

Technical data		Elite 400	Elite 800
Air volume (max.)	m ³ /h	400	800
Temperature efficiency	%	73	68
Power supply	V/Hz	1x230/50+ earth	2x230/50+ earth
Max. power consumption	W	1780	2900
Max. running current	A	7,8	12,6
Electric heating coil	W	1500	2400
Filters inlet/exhaust		F5/F5	F5/F5
Duct connection	∅	160	200
Sound level (1m)	dB(A)	48	51
Weight	kg	64	95
Dimensions (H x L x D)	mm	600 x 1000 x 400	750 x 1100 x 500



HEAD OFFICE

Denmark
A/S Dantherm
Jegstrupvej 4
DK-7800 Skive

Tel: +45 97 52 41 44
Fax: +45 97 52 61 34

E-mail:
dantherm.dk@dantherm.com
www.dantherm.com

EUROPEAN CONTACTS

England
Dantherm Limited
Hither Green
Clevedon
North Somerset
BS21 6XT

Tel: +44 (0)1275 876851
Fax: +44 (0)1275 343086

E-mail:
dantherm.co.uk@dantherm.com
www.dantherm.com

Norway
A/S Dantherm
Løkkeåsveien 26
N-3135 Torød

Tel: +47 33 38 58 00
Fax: +47 33 38 51 91

E-mail:
dantherm.no@dantherm.com
www.dantherm.com

Sweden
AB Dantherm
Kabelgatan 12
S-43422 Kungälv

Tel: +46 (0)300 16620
Fax: +46 (0)300 16216

E-mail:
dantherm.se@dantherm.com
www.dantherm.com

Dealer network
throughout Europe



Remote control unit

CONTROL

The control system includes a 3-step speed control with 230V - 161V - 68V as standard setting. A remote mounted control unit allows three fan speeds – of which the highest setting automatically goes back to normal operation after 2 hours.

For supplementary heating of the inlet air the ELITE units are fitted with an electric heating coil which is controlled by a duct-mounted temperature sensor.



Filter



Water heating coil

ACCESSORIES:

- EU9 filters (pollen filter)
- Water heating coil 2RR (manual setting)
- Water heating coil 2RR (with room thermostat)
- External room thermostat 10-30(C)
- Fire thermostat
- Extension lead for control unit (25 m)



Dantherm[®]
Environmental Air Management